

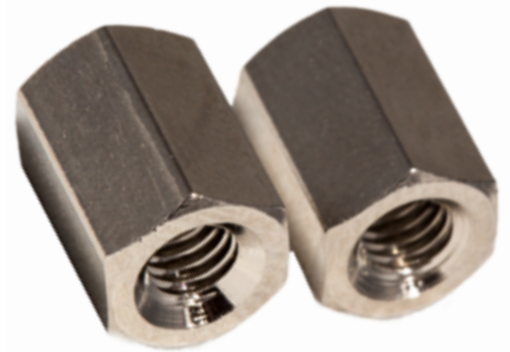
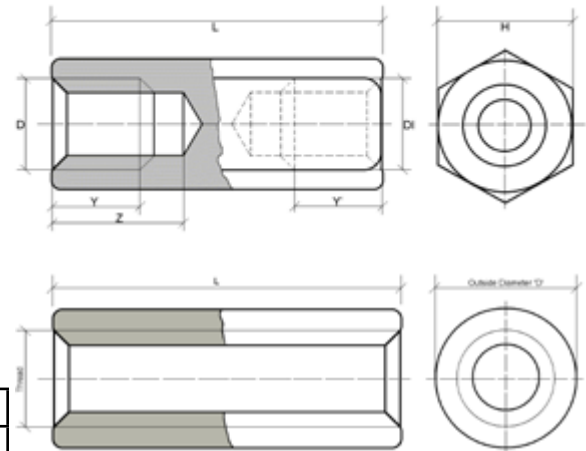
# Threaded Spacers

Hexagonal & round threaded spacers and threaded pillars

## Threaded Spacers

Hexagonal spacers are available in nickel plated brass, stainless steel grade AISI 303 and steel with a bright zinc and clear passivate finish. Round spacers are available in mild steel, bright zinc plated and stainless steel grade A2.

Lengths up to 20mm are usually tapped the full length, but over 20mm they are tapped each end to the depths specified in the table under the 'Y' dimension. We can manufacture many non-standard sizes to your specific requirements.



## Hexagonal Threaded Spacer Size Range

Nominal Thread Size	M2	M2.5	M3	M4	M5	M6
Dimension 'H'	4.0	5.0	5.0*	7.0	8.0	10.0
Thread Size 'D / D1'	M2	M2.5	M3	M4	M5	M6
Dimension 'Y' / 'Y1'						
Where 'L' is 20 or less	Through Hole					
Where 'L' is over 20	10.0					
Dimension 'Z'	'Y' Dimension + Minimum of 1mm					
Lengths						
5mm						
8mm						
10mm						
12mm						
15mm						
18mm						
20mm						
25mm						
30mm						
35mm						
40mm						
45mm						
50mm						
55mm						
60mm						
70mm						
80mm						

Length tolerances to js 13.

\*In stainless steel the 'H' dimension is 5.5mm. Steel & Brass M3 are also available with 5.5mm 'H' dimension

## Round Threaded Spacer Size Range

Thread Size	M4	M5	M6	M8	M10	M12
Material	Steel / BZP	Steel / BZP / Stainless Steel A2				
Dimension 'D'	7.0	8.0	10.0	11.0	13.0	15.0
Lengths	Made to customer requirements					

[View Threaded Spacers Range](#)

[Request A Quote](#)

[Visit Our Website](#)

[Join Our Community](#)



North Folds Road  
Oakley Hay Industrial Estate  
Corby, Northants, NN18 9AT

+44 (0) 1536 461140  
sales@technifast.co.uk  
www.technifast.co.uk



# Threaded Spacers / Pillars

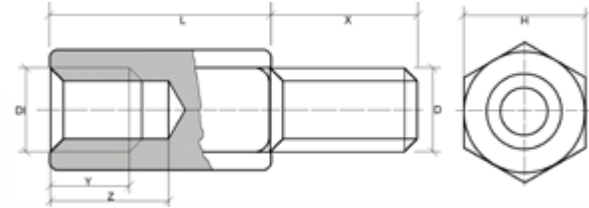
Hexagonal and round threaded spacers and threaded pillars

## Threaded Pillars Size Range

Technifast's threaded spacer and standoff ranges form integral components in a wide variety of assembly applications, spanning industries such as automotive, aviation and most commonly, electronic hardware.

Nominal Thread Size	M2	M2.5	M3	M4	M5	M6	4.40 UNC
Materials	Brass	Brass / Steel	Brass / Steel / Stainless Steel	Brass / Steel	Brass / Steel	Steel	Brass / Steel
Dimension 'H'	4.0	5.0	5.0*	7.0	8.0	10.0	5.0
Thread Size 'D' / 'D1'	M2	M2.5	M3	M4	M5	M6	4.40 UNC
Dimension 'Y':							
Where 'L' = 5	2.5	2.5	3.0	3.0	3.0	3.0	3.0
Where 'L' = 8-10	5.0	5.0	5.0	5.0	5.0	5.0	
Where 'L' = 12-20	6.0	6.0	8.0	8.0	8.0	8.0	
Where 'L' = Over 25	6.0	6.0	10.0	10.0	10.0	10.0	
Dimension 'Z'	'Y' dimension + minimum of 1mm						
Dimension 'X':							
Where 'L' = 5-20	6.0	6.0	8.0	8.0	8.0	8.0	4, 5, 6, 8, 12
Where 'L' = Over 25	6.0	6.0	10.0	10.0	10.0	10.0	
Body Lengths							
5mm							
8mm							
10mm							
12mm							
15mm							
18mm							
20mm							
25mm							
30mm							
35mm							
40mm							
45mm							
50mm							
55mm							
60mm							
70mm							
80mm							

Length tolerance to js 13



[View Threaded Pillars Range](#)

[Request A Quote](#)

[Visit Our Website](#)

[Join Our Community](#)



North Folds Road  
Oakley Hay Industrial Estate  
Corby, Northants, NN18 9AT

+44 (0) 1536 461140  
sales@technifast.co.uk  
www.technifast.co.uk

